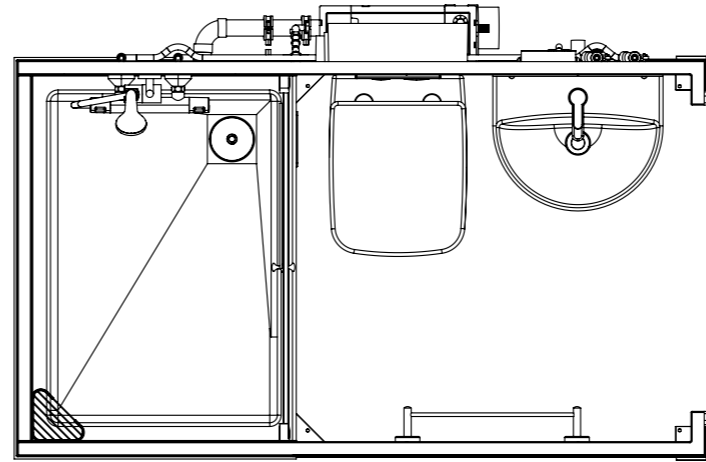
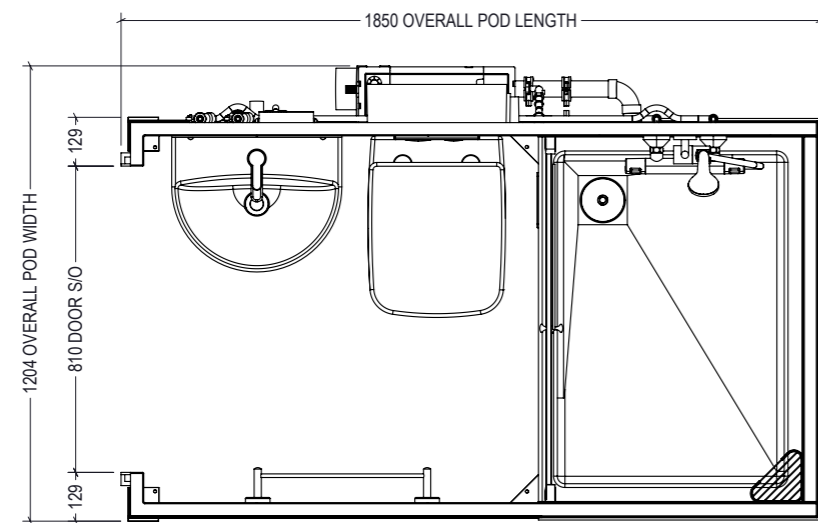


PLEASE NOTE THAT OSS'S GRP PANEL MAKE UP FOR GRP PODS AND GRP CEILINGS (IN STEEL FRAME PODS) HAS BEEN TESTED PURSUANT TO BS 476: PART7: 1997 AND HAS BEEN CLASSIFIED AS CLASS 3. IT IS FOR THE MAIN CONTRACTOR AND OTHERS TO DETERMINE WHETHER THIS CLASSIFICATION IS ACCEPTABLE WITH REGARDS TO ANY FIRE RESISTANCE, FLAME SPREAD OR OTHER RATING OR CLASSIFICATIONS, THAT MAY BE REQUIRED UNDER BUILDING REGULATIONS, STANDARDS AND STATUTORY (OR ANY OTHER APPLICABLE) REQUIREMENTS.. AS SUCH, IT IS THE CONTRACTOR'S RESPONSIBILITY TO ENSURE BUILDING CONTROL'S APPROVAL.

NOTES:  
 THIS DRAWING IS PROPERTY OF OFF SITE SOLUTIONS (RT) LTD AND MUST NOT BE USED OR COPIED WITHOUT WRITTEN PERMISSION  
 IF IN DOUBT ASK - DO NOT SCALE  
 OSS TO BE INFORMED OF ALL DISCREPANCIES IN DIMENSIONS  
 THIS DRAWING IS ONE OF A SUITE OF DRAWINGS AND SHOULD NOT BE READ IN ISOLATION

RIBA STATUS	
ISSUE STATUS	CR - CONSTRUCTION RECORD



**POD NAME: GARNET**

TILE EFFECT FINISH: 150mm X 450mm LANDSCAPE, 290mm X 75mm HERRINGBONE.  
 SHOWER TRAY SIZE: 970mm X 700mm  
 SHOWER TRAY TYPE: MOULDED (INTEGRAL)  
 OVERALL POD HEIGHT: 2228mm  
 OVERALL POD LENGTH: 1850mm  
 OVERALL POD WIDTH: 1204mm  
 POD FLOOR TYPE: FLOORLESS  
 THRESHOLD HEIGHT: N/A

REV	AMENDMENTS	DATE	DRAWN
REVISION TABLE			

CLIENT:

PROJECT:  
OSS STANDARD GRP PODS

POD TYPE:  
GARNET

DRAWING TITLE:  
GRP COMPOSITE POD: FLOORLESS

DRAWING NUMBER: OSS068	REVISION: A
---------------------------	----------------

SCALE: 1:20	TOLERANCE: +/-5mm
----------------	----------------------

DRAWN: AF	DATE: 08.04.25
--------------	-------------------

CHECKED: VR	APPROVED: JG
----------------	-----------------



OFFSITE SOLUTIONS (RT) LTD, HOOPERS CLOSE,  
 ISLEPORT BUSINESS PARK, HIGHBRIDGE, SOMERSET, TA9 4JU  
 TEL: 01278 780807  
 FAX: 01278 780907  
 EMAIL: INFO@OFFSITESOLUTIONS.COM  
 WWW.OFFSITESOLUTIONS.COM



ORGANISATION	STATUS			DATE	SIGNED
	A	B	C		